

Blizzard Bag- Day 3

Please solve ANY three shapes on EACH page. You should be solving for the area of NINE problems total.

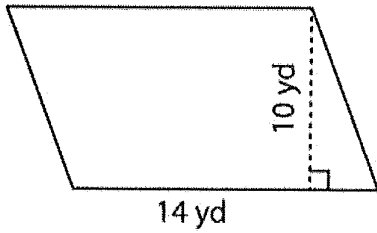
Please do your work on loose-leaf or graph paper.

You must:

1. Redraw the shape and label the base(s) and height
2. Show the formula used to solve for the area
3. Show me the numbers you used to solve for the area
4. Circle the final answer and label with the appropriate units

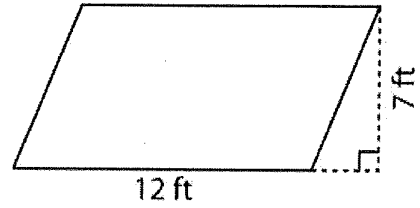
1

Find the area:



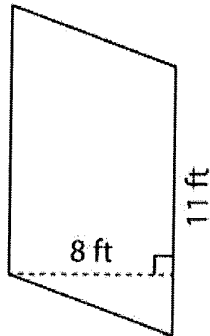
2

Find the area:



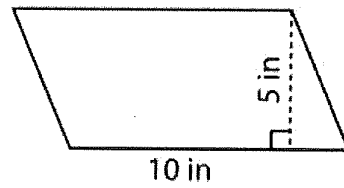
3

Find the area:



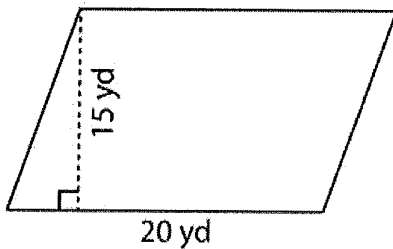
4

Find the area:



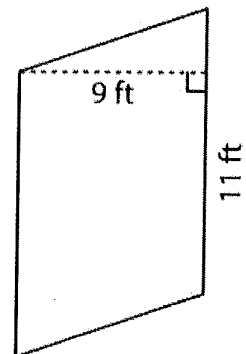
5

Find the area:



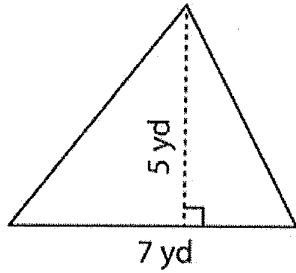
6

Find the area:

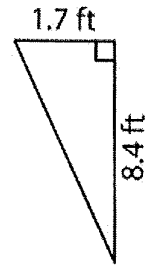


7

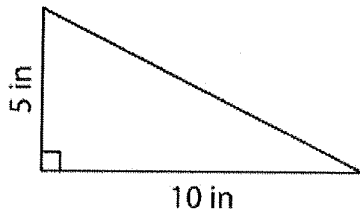
Find the area:

**8**

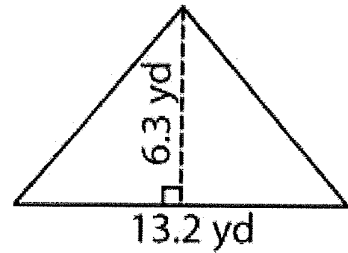
Find the area:

**9**

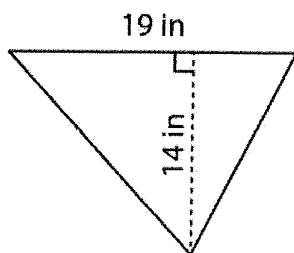
Find the area:

**10**

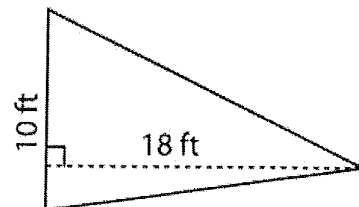
Find the area:

**11**

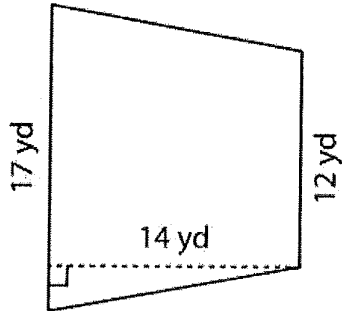
Find the area:

**12**

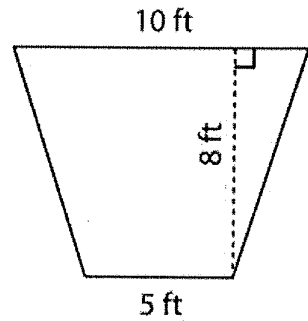
Find the area:



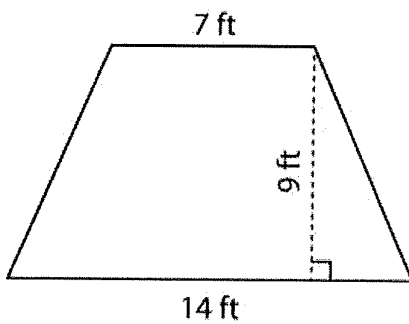
13 Find the area:



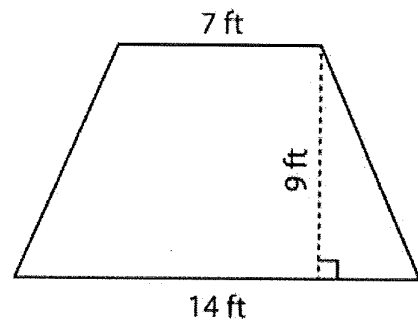
14 Find the area:



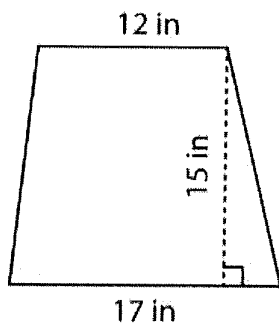
15 Find the area:



16 Find the area:



17 Find the area:



18 Find the area:

